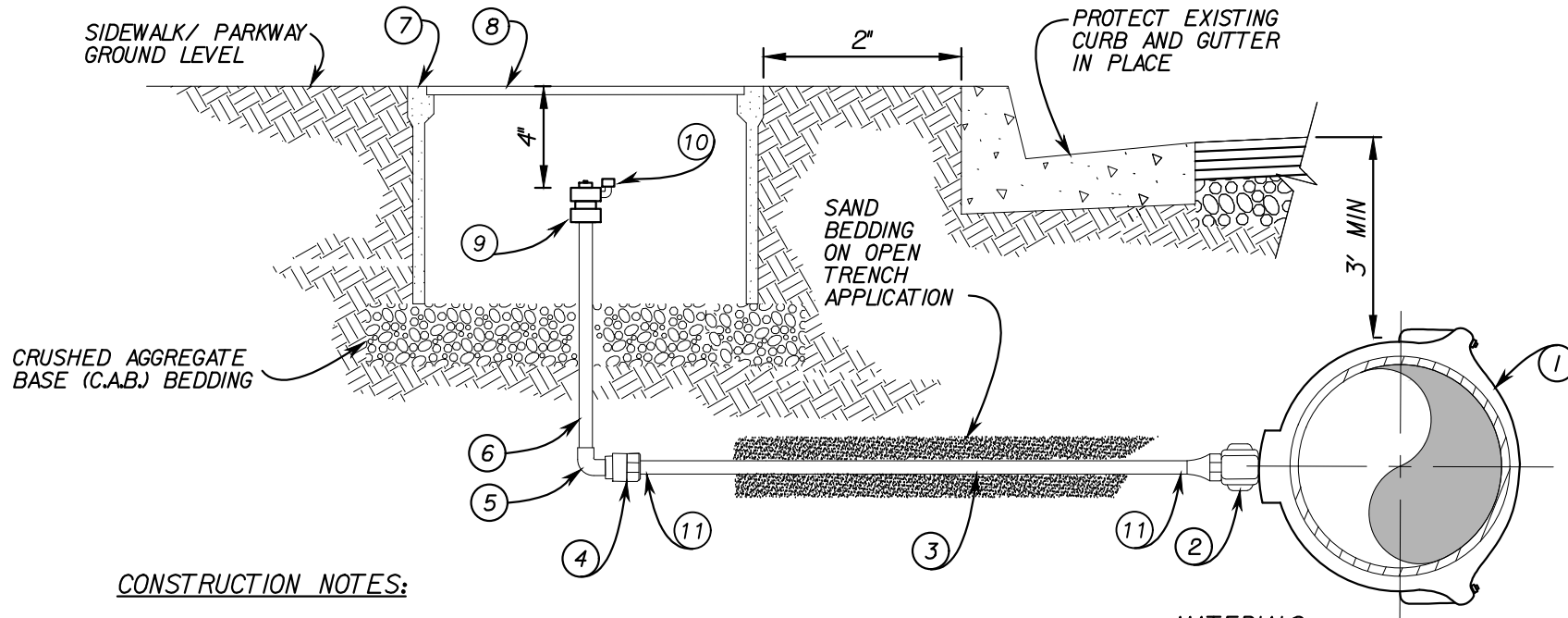


NOT TO SCALE




CONSTRUCTION NOTES:

1. SERVICE SADDLE SHALL NOT BE INSTALLED WITHIN 2" OF VALVE, COUPLING, JOINT OR FITTING. TAPPED COUPLINGS ARE NOT PERMITTED.
2. INSTALL CORPORATION STOP IN OPEN POSITION.
3. THE WATER SERVICE SHALL EXTEND PERPENDICULAR TO THE CENTERLINE OF THE STREET FROM THE WATERMAIN TO THE ANGLE STOP.
4. METER BOXES SHALL BE SET 2" FROM THE BACK OF CURB.
5. METER BOX AND LID SHALL BE FURNISHED BY CONTRACTOR.
6. INSTALL #12 GAUGE TRACER WIRE ALONG WITH ALL PEX TUBING.

MATERIALS

ITEM NO.	SIZE & DESCRIPTION	MANUFACTURER	SPEC. NO.
1	DOUBLE STRAP BRONZE SERVICE SADDLE 2" M.J.P. OUTLET	JONES MUELLER	J-979 EQUAL
2	2" BRONZE CORPORATION VALVE BALL TYPE M.J.P. x CTS	JONES MUELLER	E-1935SG H-15028N
3	2 "PURPLE" PEX TUBING	MUNICIPEX	SDR9 (CTS)
4	2" CTS X M.J.P. BRASS ADAPTER	JONES MUELLER	E-2605SG EQUAL
5	2" BRASS F.J.P. X F.J.P. ELBOW		
6	2" BRASS M.J.P. X M.J.P. NIPPLE	(LENGTH VARIES)	
7	METER BOX	J & R	4 1/2 CONCRETE
8	METER LID	DFW	DFW486-4 (PURPLE MARKED RWD)
9	BLOW-OFF BALL VALVE	JONES MUELLER	E-1998 EQUAL
10	2" BRASS SCREWED PLUG WITH M.J.P. THREAD		
11	2" CTS PIPE INSERT	JONES MUELLER	J-2808 W528705

2-INCH RECYCLED BLOW-OFF ASSEMBLY

APPROVED BY:

 TOM COLEMAN
 GENERAL MANAGER
 9/15/21
 DATE



DRAWING #
W-3R
 REVISION DATE:
 SEPTEMBER
 2021

ROWLAND WATER DISTRICT

2" RECYCLED BLOW-OFF ASSEMBLY