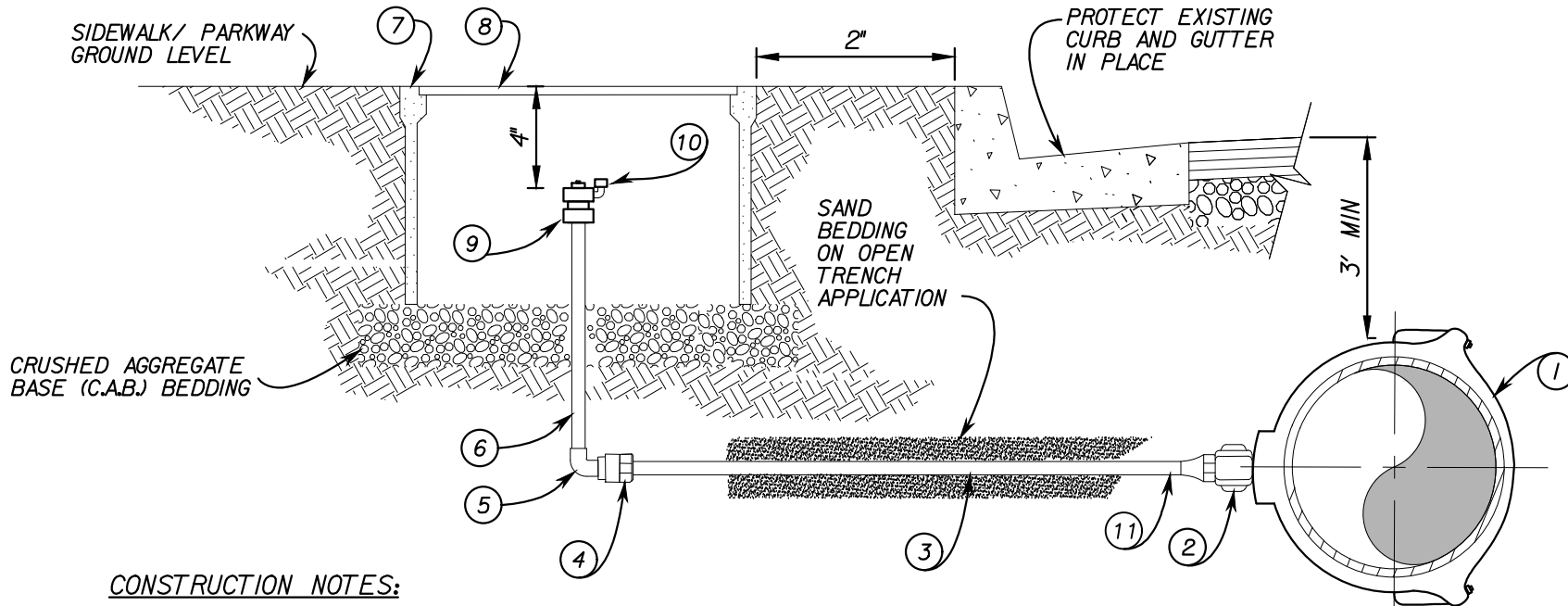


NOT TO SCALE




CONSTRUCTION NOTES:

1. SERVICE SADDLE SHALL NOT BE INSTALLED WITHIN 24" OF VALVE, COUPLING, JOINT OR FITTING. TAPPED COUPLINGS ARE NOT PERMITTED.
2. INSTALL CORPORATION STOP IN OPEN POSITION.
3. THE WATER SERVICE SHALL EXTEND PERPENDICULAR TO THE CENTERLINE OF THE STREET FROM THE WATERMAIN TO THE ANGLE STOP.
4. METER BOXES SHALL BE SET 2" FROM THE BACK OF CURB
5. METER BOX AND LID SHALL BE FURNISHED BY CONTRACTOR.
6. INSTALL #12 GAUGE TRACER WIRE ALONG WITH ALL PEX TUBING.

MATERIALS

ITEM NO.	SIZE & DESCRIPTION	MANUFACTURER	SPEC. NO.
①	DOUBLE STRAP BRONZE SERVICE SADDLE 2" M.J.P. OUTLET	JONES MUELLER	J-979 EQUAL
②	2" BRONZE CORPORATION VALVE BALL TYPE M.J.P. x CTS	JONES MUELLER	E-1935SG EQUAL
③	2" "BLUE" PEX TUBING	MUNICIPEX	SDR9 (CTS)
④	2" CTS X M.J.P. BRASS ADAPTER	JONES MUELLER	E-2605SG EQUAL
⑤	2" BRASS F.J.P. X F.J.P. ELBOW		
⑥	2" BRASS M.J.P. X M.J.P. NIPPLE	(LENGTH VARIES)	
⑦	METER BOX	J & R	4 1/2 CONCRETE
⑧	METER LID	DFW	DFW486-4 (GRAY MARKED RWD)
⑨	BLOW-OFF BALL VALVE	JONES MUELLER	E-1998 EQUAL
⑩	2" BRASS SCREWED PLUG WITH M.J.P. THREAD		
⑪	1" CTS PIPE INSERT	JONES MUELLER	J-2808 M528705

2-INCH BLOW-OFF ASSEMBLY

APPROVED BY:

 TOM COLEMAN
 GENERAL MANAGER
 DATE: 2/16/21



DRAWING #
W-3
 REVISION DATE:
 FEBRUARY 2021

ROWLAND WATER DISTRICT

2" BLOW-OFF ASSEMBLY